

4

3

2

1

B

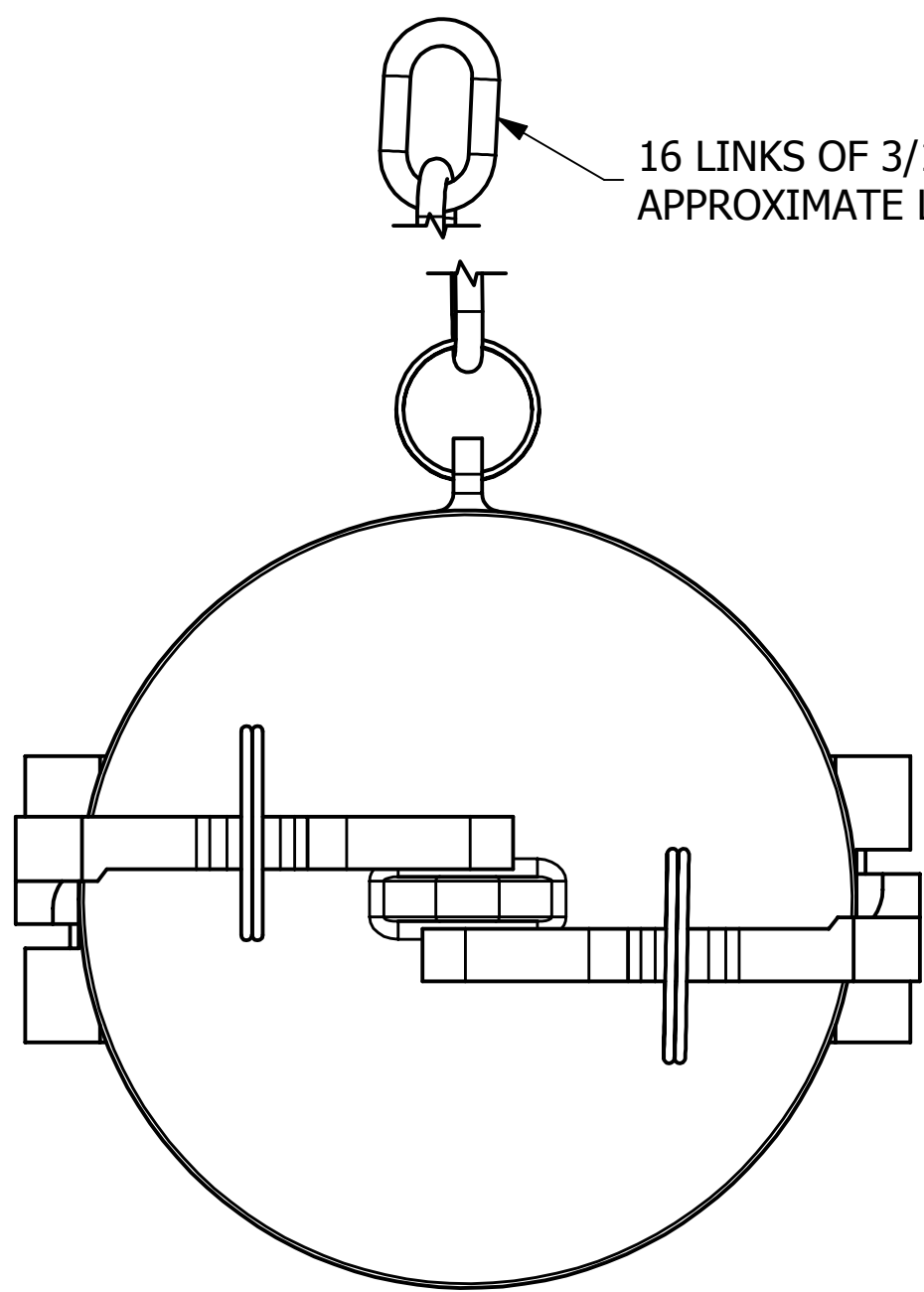
B

A

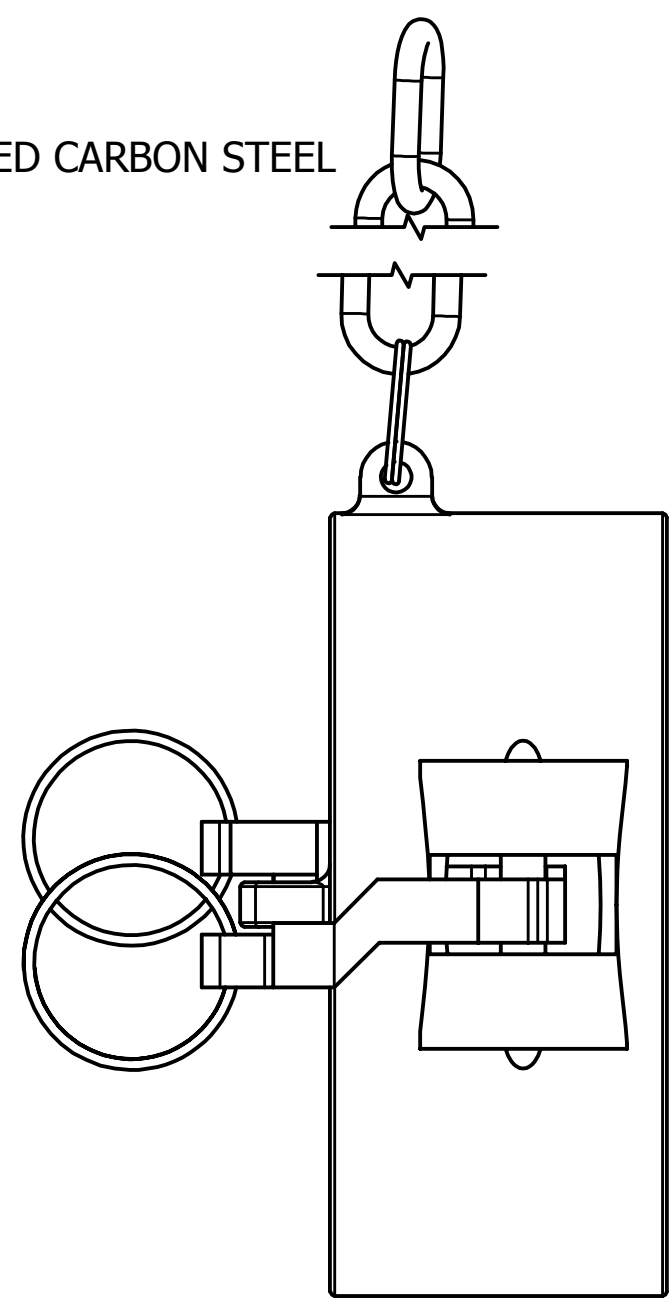
A

SALES DRAWING

SALES DRAWING



16 LINKS OF 3/16" ZINC-PLATED CARBON STEEL
APPROXIMATE LENGTH IS 16"



NOTE:
GASKET MATERIAL IS FDA WHITE NITRILE.

REV	BY	DATE	DESCRIPTION
C	BRG	3-6-08	REPLACED PD4ADC W/ PD4ALC, AND KDC4FR W/ SC115R1 AND REMOVED GASKET
B	BRG	11-19-07	ADDED NOTE
A	MRC	2-4-98	REDREW ARMS, NEW TAB LOCATION, ADDED KDC4FR, SC28 REQUIRED 17 LINKS

UNLESS OTHERWISE SPECIFIED DIMENSIONAL TOLERANCES		DRAWN BY:	ACC
FRACTIONAL:	±1/16	CHECKED BY:	AVD
X.XX:	±.03	PROTOTYPE BY:	ACC
X.XXX:	±.015	PROTOTYPE DATE:	11/13/1995
ANGULAR:	±1°	APPROVED FOR PRODUCTION BY:	ACC
DEBURR ALL SHARP EDGES. ALL MACHINED SURFACES TO HAVE A 125 RMS FINISH UNLESS NOTED OTHERWISE.		PRODUCTION DATE:	11/13/1995
THIRD ANGLE PROJECTION			

PART NAME: DUST CAP 4"		
MATERIAL: ALUMINUM		
PROJECT #:	SHEET #: 1 OF 1	SCALE: 3:4
DRAWING #: B7750	PART #: PD4ALCA	

THIS PRINT, PROPERTY OF SALCO PRODUCTS INC., CONTAINS PROPRIETARY INFORMATION AND MUST NOT BE COPIED, REPRODUCED, OR USED DETRIMENTALLY TO OUR INTEREST.